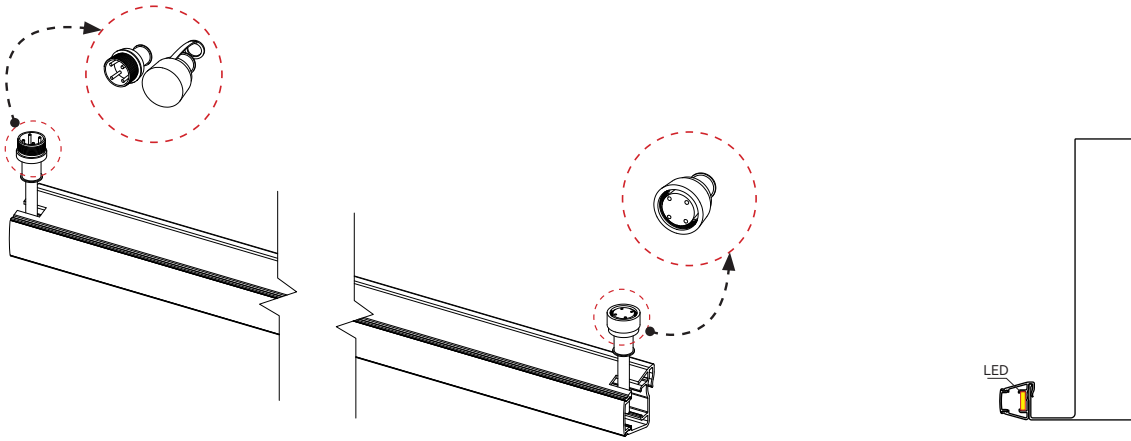


External LED Strip Light

Assembly instruction

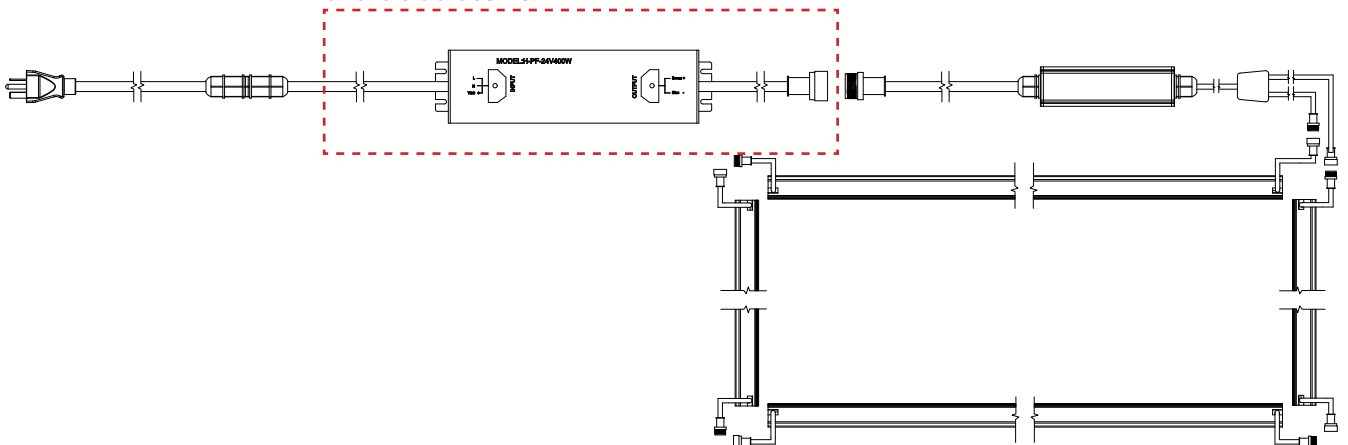
External LED Strip Light



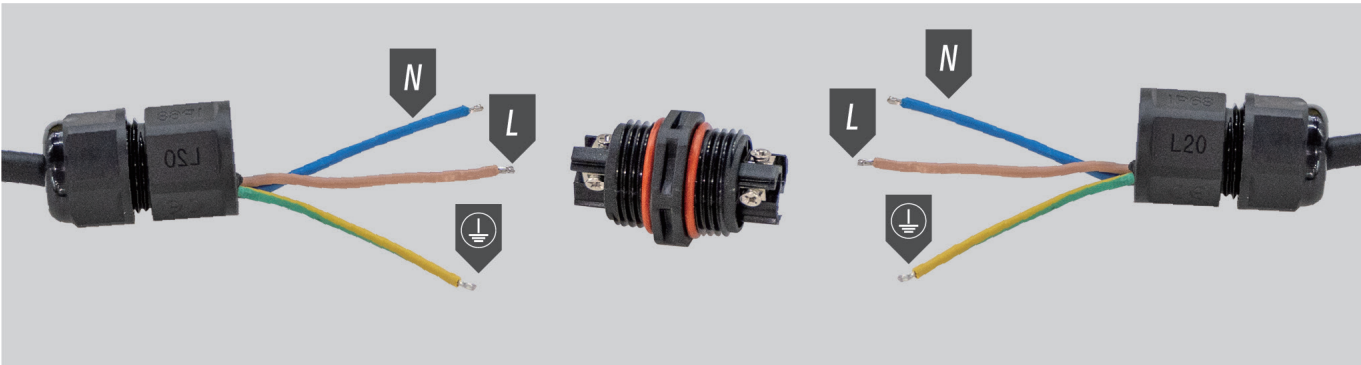
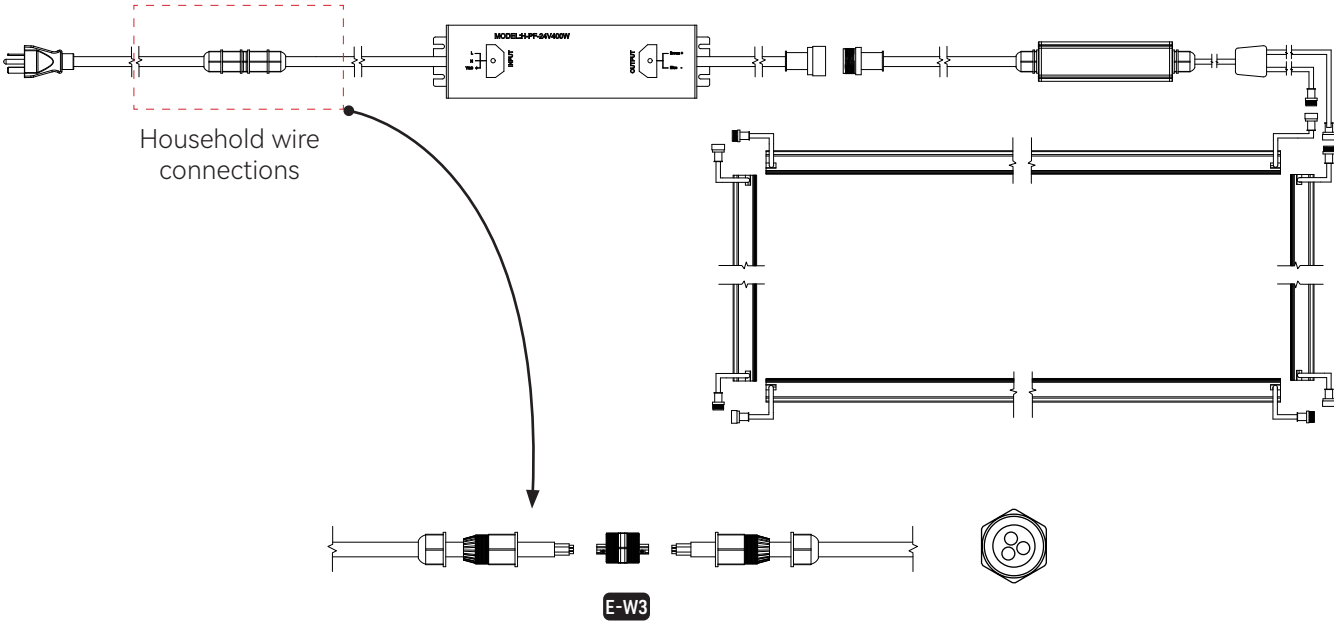
Reference	Parts	Quantity
E-W3		1
E-T		1
L-C		1
L-LC		1

Wiring Diagram

Placement of the transformer into the cavity of the side beams.



External LED Strip Light



There are 3 cables at the input end of the power, namely:
Brown: LIVE WIRE
Blue: NEUTRAL WIRE
Yellow & Green: EARTH WIRE

External LED Strip Light

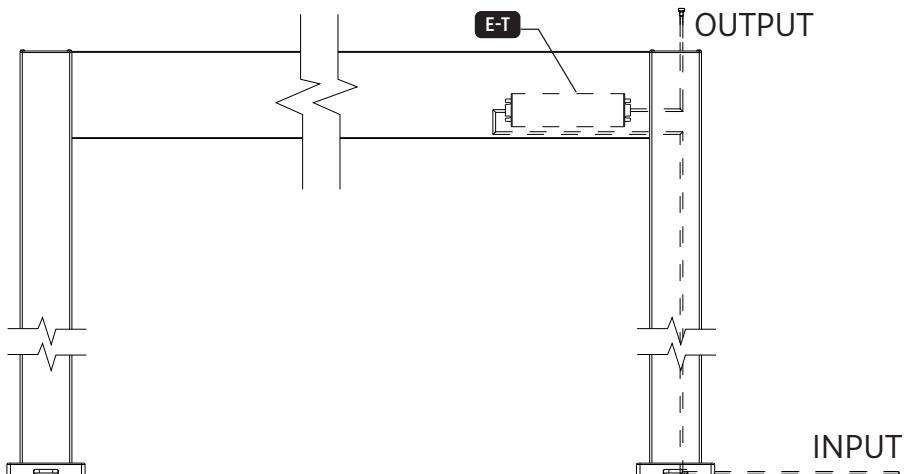
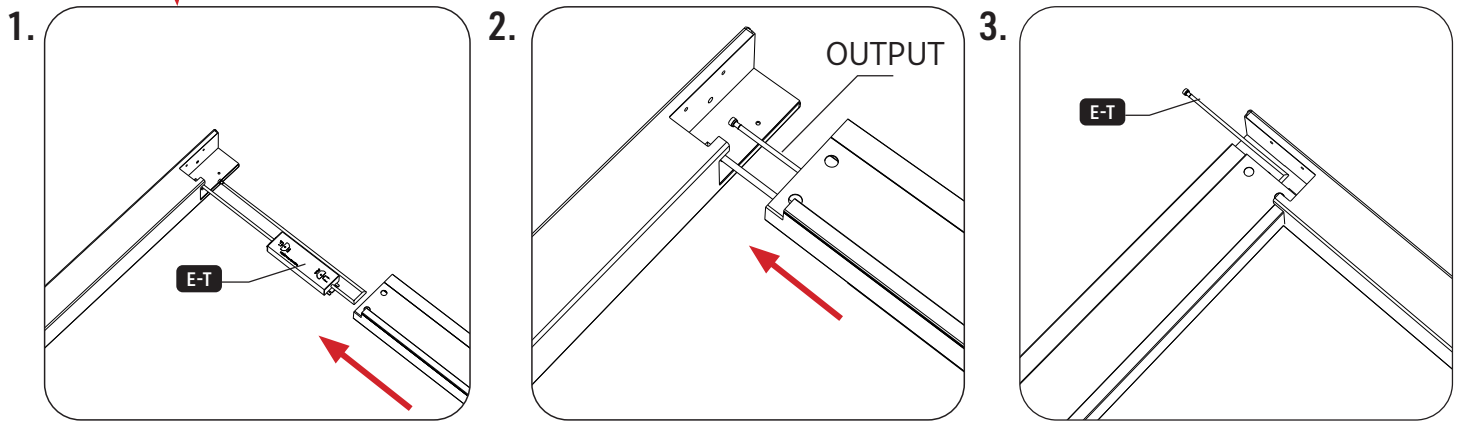
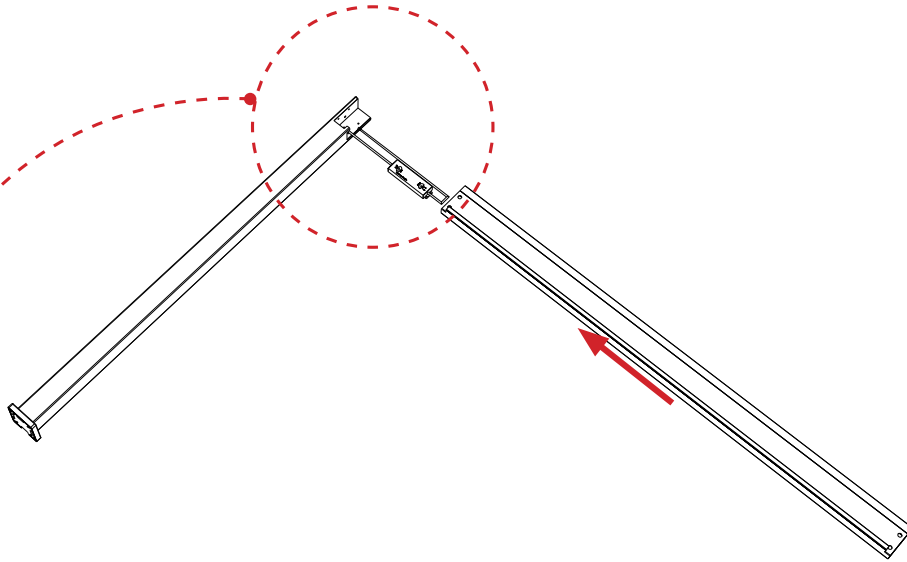
There are two cases of installation.

Case 1: When pergola is not installed, please install the related accessories of the LED according to the plan A.

Case 2: When pergola has been installed, please install the related accessories of the LED according to the plan B.

Plan A -when pergola is not installed

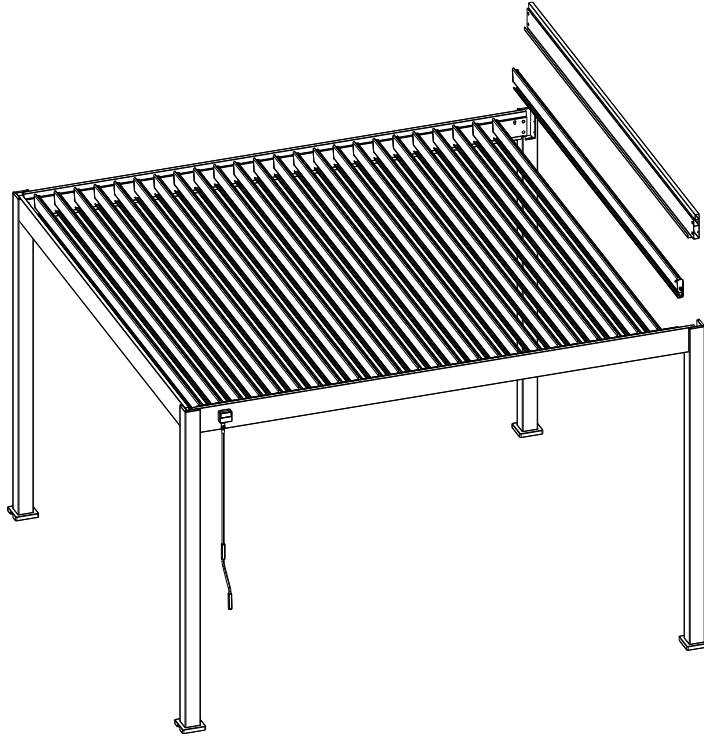
Place the transformer according to the figure, and then install the posts and beams.



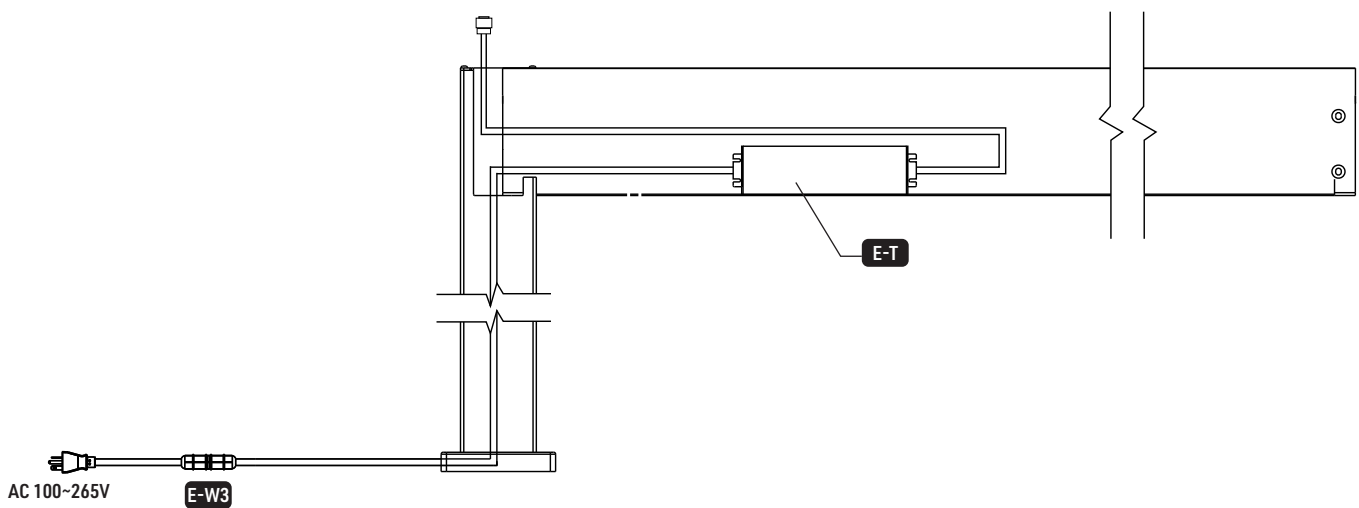
External LED Strip Light

Plan B - when pergola has been installed

Remove the side beam where the transformer is installed and the louvers near the side beam.

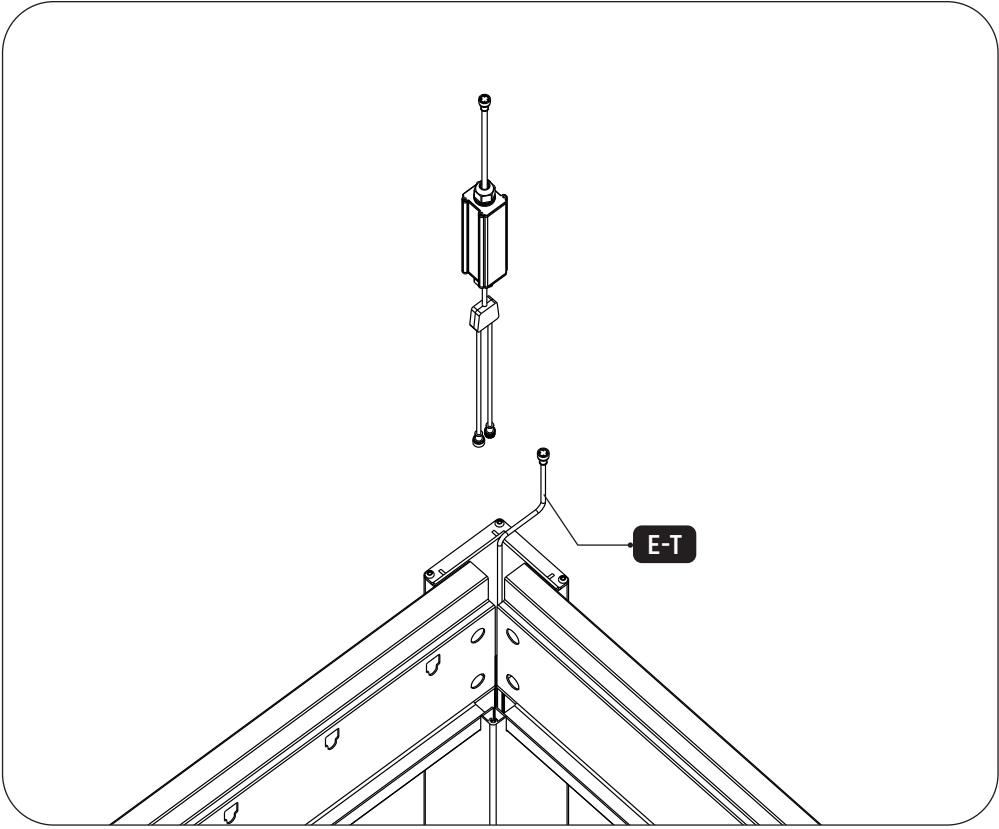


Put the transformer into the removed side beam, pull the transformer input cable out of the drainage hole of the post, and place the output cable at the top.

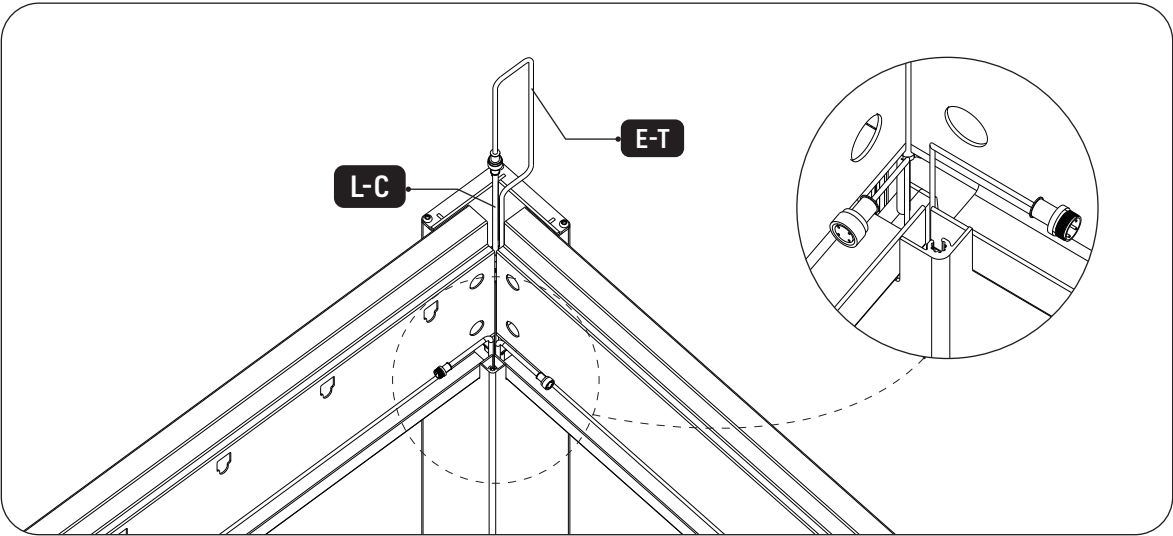


External LED Strip Light

Place LED controller
Place the LED controller in the cavity of the post



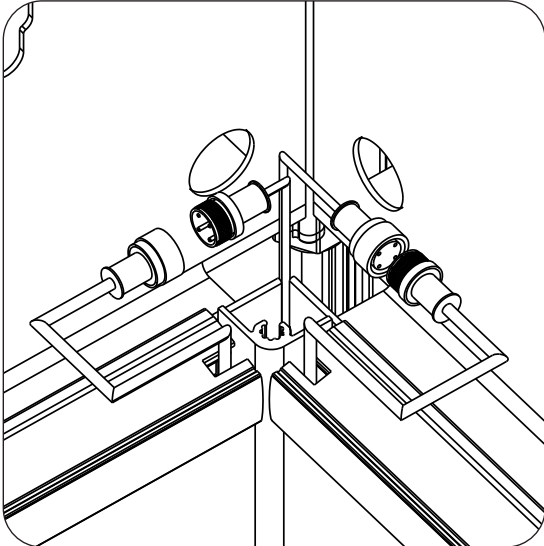
Connect the controller to the transformer, pull out the output end of the controller from the shown position to facilitate the subsequent connection of the troffer



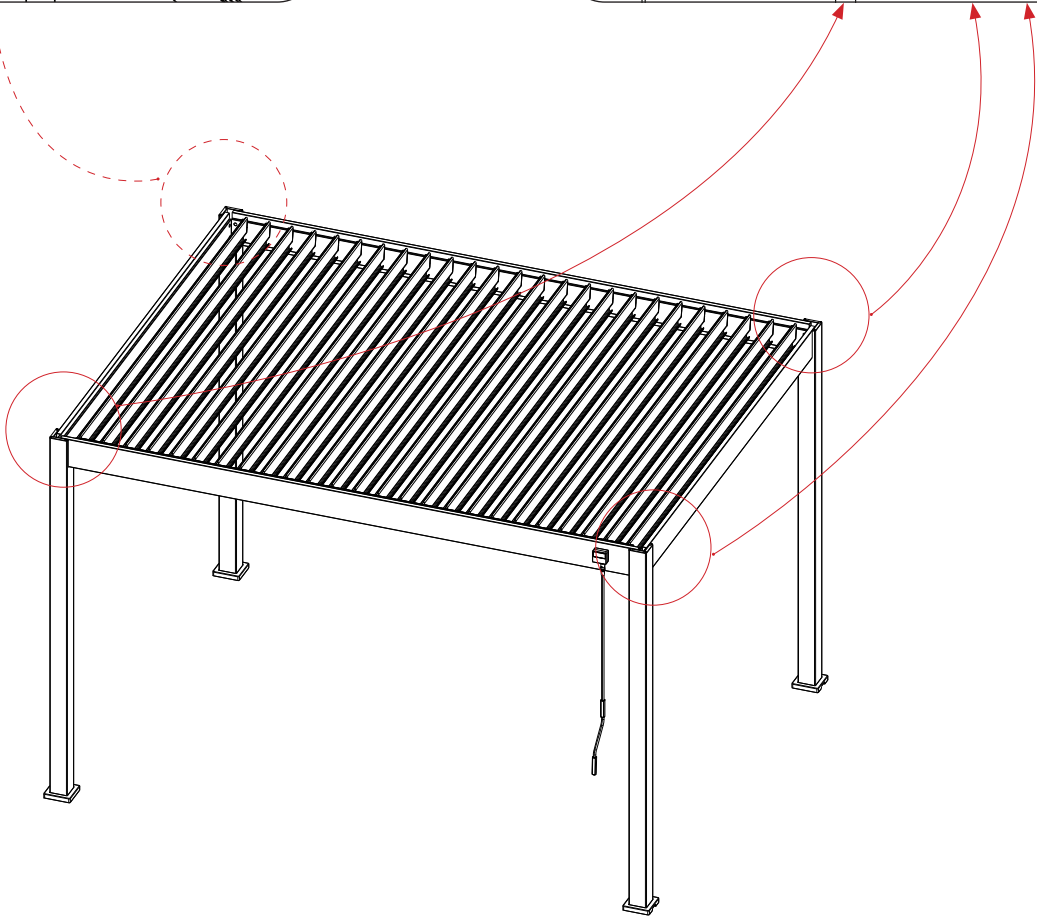
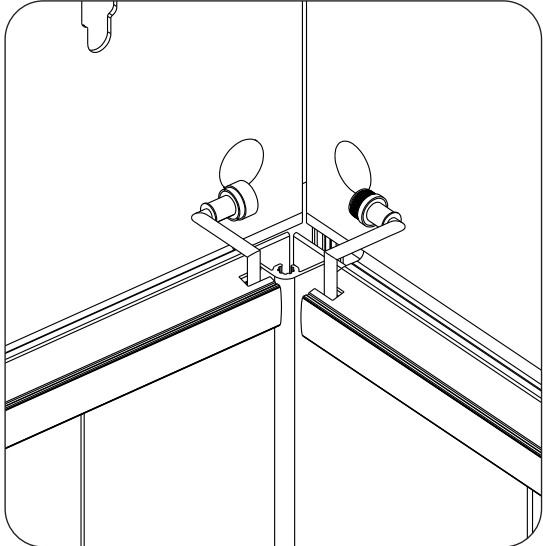
External LED Strip Light

Place the tape lights. Connect the controller to the tape lights.

Connect the LED Controller

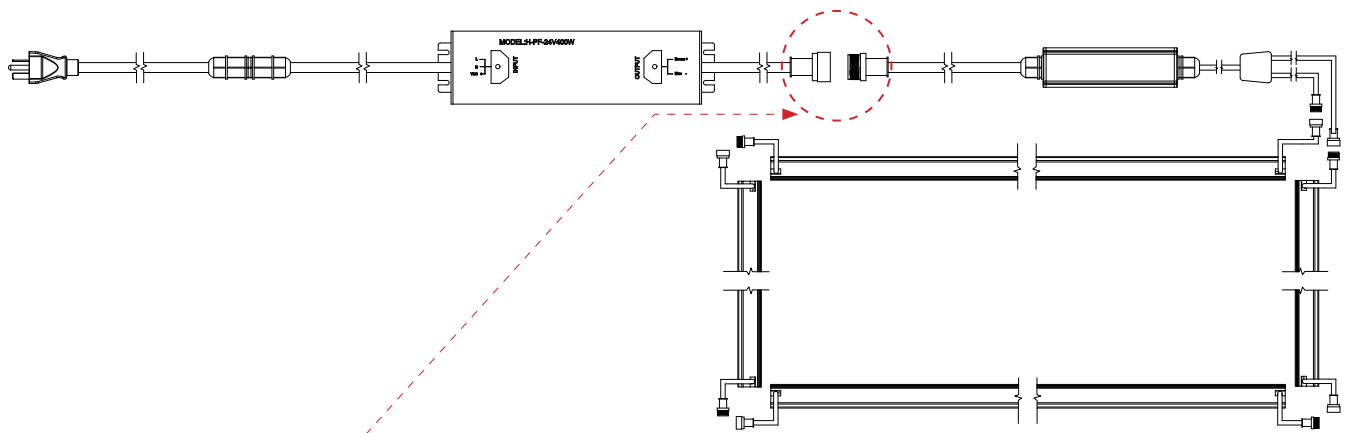


Connect the LED



External LED Strip Light

LED remote rematches



To match the remote, switch off the power, then switch on power, repeat again. Immediately short press 3 times on off key. To delete the remote, switch off the power, then switch on power, repeat again. Immediately short press 5 times on off key.